

# PYLE®

PyleAudio.com

718.535.1800 718.236.2400 (fax)  
1600 63rd Street, Brooklyn NY 11204

# PYLE® PWMA-1090UI

## OPERATING INSTRUCTIONS

**800 Watt Dual Channel Wireless Rechargeable Portable  
PA System With iPod/iPhone Dock, FM/USB/SD, Handheld  
Microphone, and Lavalier/Headset Microphone**



## GENERAL DESCRIPTIONS

- 1.It is consist of one set of of wireless and two wired microphone input circuits, both of them has separated volume control.
- 2.The standard accessories are VHF high band wireless transmitter and receiver.
- 3.It is equipped with built-in 7AH/12V rechargeable battery which can be charge 6 hours continuously, also DC power can be used directly.
- 4.One guitar input function, one audio input, one iPod/MP3 input and one iPod dock are supplied.
- 5.Treble and bass control are supplied.
- 6.Echo control is supplied.
- 7.With voltage selector switch for selecting a suitable one according to different countries.
- 8.10 " Woofer and Mid and Tweeter.

## REMARKS

1. Correct power must be used. don't use any other power except the specified one.
2. Don't drag the power cable when pull out the plugs, just hold the plug to pull it out from socket.
3. Don't open chassis; it is very dangerous either open the chassis or put your hand inside the chassis, don't do it. If the device is not under normal working, pull out the plug at once and contact your retailer or nearest distributor.
4. Don't take volatile solvent such as toluene, alcohol, gasoline to clean the surface.
5. Please don't put it in a unventilated environment or at direct sunlight in summer.
6. Avoid moisture or rain

## PARAMETER

### AMPLIFIER

Power supply:	<input type="checkbox"/> AC200V/50Hz <input type="checkbox"/> AC110V/60Hz
	including a built-in 12V7AH rechargeable battery
Frequency response:	35Hz-20KHz
SPL:	94dB (1W/M)
T H D:	<1%
Input wired mic:	-58dBV 600
Speaker:	10 " Woofer, Mid and Tweeter
RMS Power:	400W
Input jack:	2 X 1/4 " wired mic jack, 1 X 1/4 " GUITAR IN jack 1 X Audio input jack, 1 X 1/4 " IPOD/MP3 input jack

### RECEIVER

#### TRANSMITTER

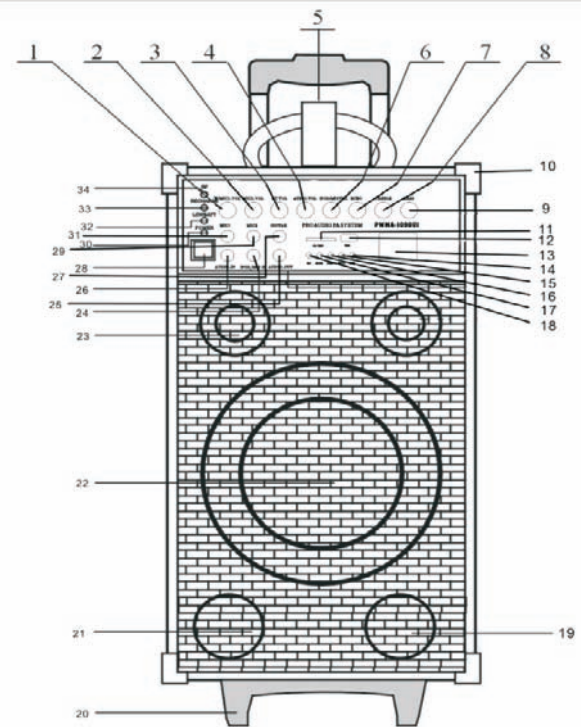
Carrier frequency range:	170-216 MHz
RF power output:	≤10mW
Modulation level:	15K
Operation temperature:	-18°C-60°C
Power supply:	3V
Unit Battery Life:	Approx.3 Hours
Mic Battery Life:	Approx.45 Hours

- ⑥ Push the Power Switch of handheld microphone (bodypack transmitter) to ON position, your sound can be heard from amplifier when speaking. Adjust the Volume Control/Echo Control/Treble Control/Bass Control to proper position to avoid feedback.
- ⑦ If the Power Indicator of microphone (bodypack transmitter) comes on at all times, it indicates the battery lack of power, please replace the battery.
- ⑧ Connect relative cable of guitar with Guitar Input Jack on this system, you can play wonderful music.
- ⑨ IPOD Dock: Connect IPOD to IPOD dock, you can press "Play", "Pause", "Pre" and "Next" keys to control it. And unit will charge IPOD automatically once it is connected to the dock till IPOD battery is full so that no need to press "Charge" key to get IPOD charged. During charging, you can play IPOD at the same time.

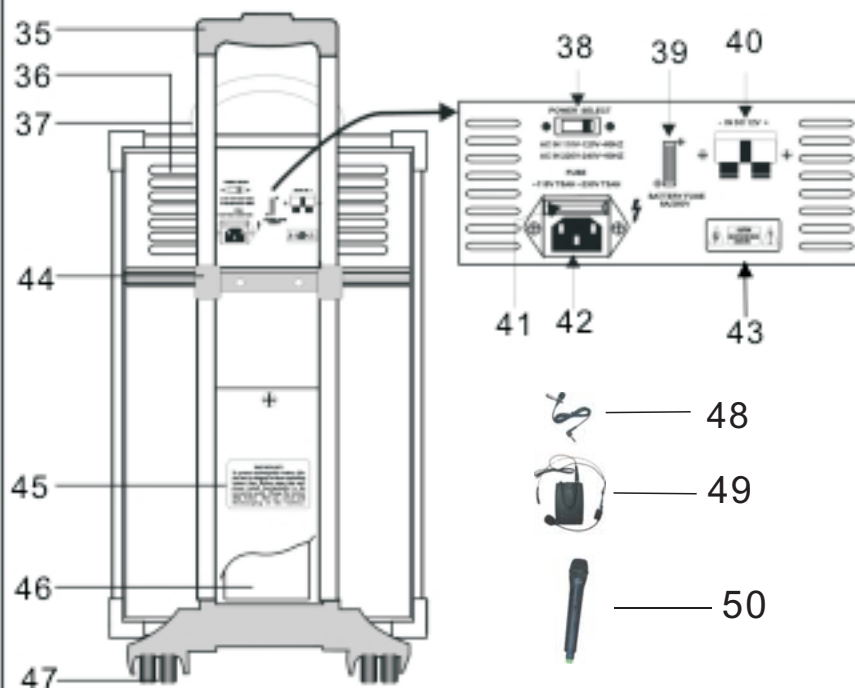
**3. Wired Microphone:**

- ① Two way wired microphone input jacks are supplied for two people us simultaneously.
- ② Plug Wired microphones into the jacks separately.
- ③ Adjust Echo Control to get better sound.
- ④ Adjust the volume of each microphone to make sure the sound is satisfactory.

- |                                     |                                   |
|-------------------------------------|-----------------------------------|
| 1. Wireless Mic/MIC1 Volume Control | 18. Remote Signal Control         |
| 2. MIC2 Volume Control              | 19. Vent Hole                     |
| 3. Guitar Volume Control            | 20. Fixed Stand For The Unit      |
| 4. Audio Volume Control             | 21. Vent Hole                     |
| 5. Ipod Dock                        | 22. Woofer Speaker                |
| 6. Ipod/MP3 Volume Control          | 23. Tweeter                       |
| 7. Echo Control                     | 24. Ipod/MP3 Input Jack           |
| 8. Treble Control                   | 25. Audio Output Jack             |
| 9. Bass Control                     | 26. Audio Input Jack              |
| 10. Metal Corner                    | 27. Guitar Input Jack             |
| 11. SD/ MMC Card Jack               | 28. Power Switch                  |
| 12. USB Jack                        | 29. MIC2 Input Jack               |
| 13. Screen                          | 30. Power Indicator               |
| 14. Play/Pause Control              | 31. MIC1 Input Jack               |
| 15. Next Control                    | 32. Low Voltage Indicator         |
| 16. Prev Control                    | 33. Charge Indicator              |
| 17. Mode Control                    | 34. RF Indicator For Wireless Mic |



- |                             |                                  |
|-----------------------------|----------------------------------|
| 35. Trailer Handle          | 43. Warning                      |
| 36. Heating Pane            | 44. Fixed Stand For The Trailer  |
| 37. Handle                  | 45. Battery Cover                |
| 38. Voltage Selector Switch | 46. 7AH/12V Rechargeable Battery |
| 39. Battery Fuse            | 47. Truckle Of Trailer           |
| 40. DC Input Jack           | 48. Livelier Mic                 |
| 41. AC Fuse                 | 49. Headset Mic                  |
| 42. Power Socket            | 50. Handheld Mic                 |



## 1. Confirm the power

- ① AC Power: Before operation, please confirm the voltage is same as the specified one marked on the label. If not, the unit will be damaged.
- ② Built-in Rechargeable Battery: You needn't plug-in the AC power when the voltage for rechargeable battery is enough but use the battery directly.
- ③ When the Low Voltage Indicator comes yellow, it indicates the battery voltage is not enough, please charge it in time.
- ④ When the Low Voltage Indicator comes out, it indicates the voltage is standard now.
- ⑤ If the unit is not used for a long time, please charge the rechargeable battery every 2 months, 8-10 hours for each time.

## 2. Operation Instructions:

- ① Plug the power cable into the socket and connect it with this amplifier system.
- ② Switch on the amplifier, the Power Indicator comes red.
- ③ During charging, RECHARGE indicator comes red, when the indicator flashing, that means battery is almost full while it is ready all indicators will off.
- ④ During charging, you can play music at the same time, then RECHARGE indicator will flashing with the current consumption indicating the speed of charge. Charge time is in direct proportion to the volume of music. When the battery is full, RECHARGE indicator will stop flashing and then off.
- ⑤ Put two AA 1.5V battery into handheld microphone (bodypack transmitter), push the Power Switch to middle, the Power Indicator will flash once, RF Indicator comes on green, the speakers are quiet.